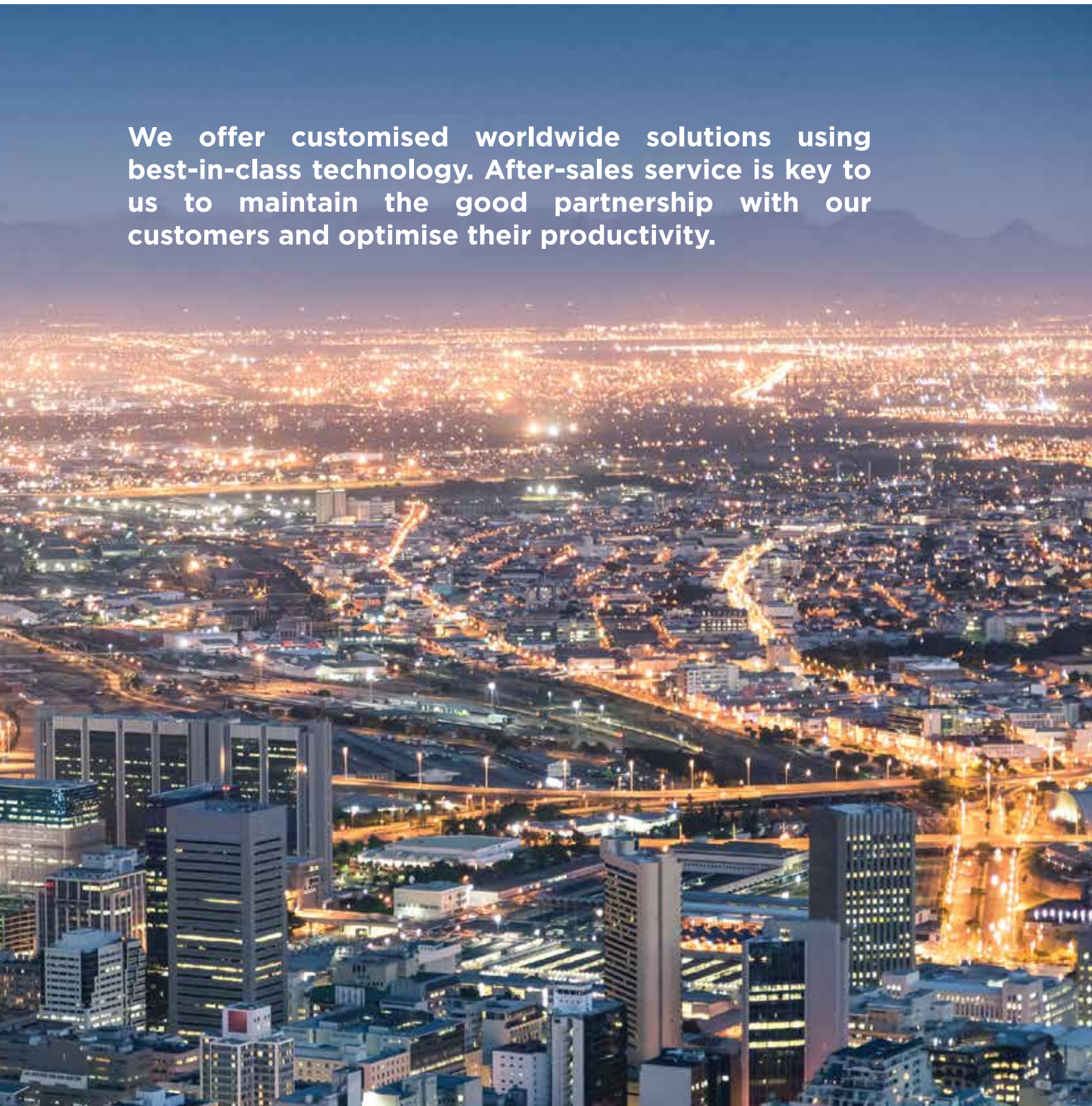




Solutions for energy quality  
and power electronics

**We offer customised worldwide solutions using best-in-class technology. After-sales service is key to us to maintain the good partnership with our customers and optimise their productivity.**



## ABOUT ON POWER

ON Power Technology AG is an international operating company located in Switzerland focusing in power electronics and power quality. More than 25 years of experience in the field of power electronics, testing, project management and power quality guarantee our customers a robust quality in products, engineering and services.

Quality, customer satisfaction and corporate responsibility are our pillars.

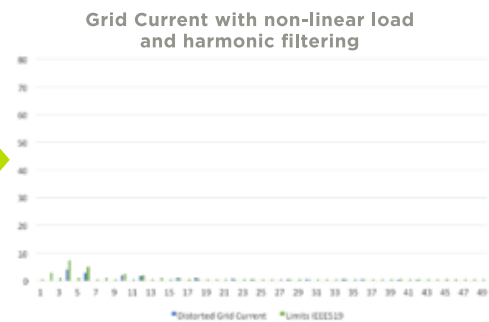
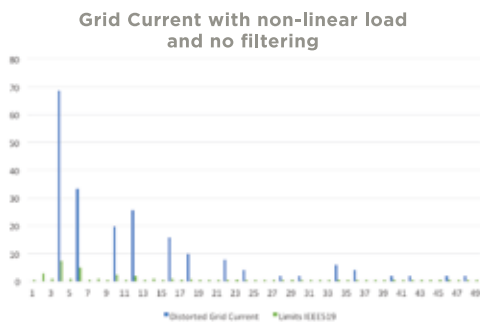
- Consulting, analyses, on-site measurements in all power quality issues
- Capacitor banks for energy saving systems
- Customised inverters for renewable energy production up to 6MW
- Customised static frequency converters for any industrial application up to 6MW
- Thyristorstack 30kV and 60kV
- DC/DC converters
- Project management and consulting services for industrial environments

## ENERGY QUALITY AND POWER ELECTRONIC ISSUES

### 1 PRODUCTS

Our power quality products assist our customers to comply with international standards such as IEEE519-1992, EN50160, D-A-CH-CZ 301/4, GB5/3, etc. As experts in

the field, we guarantee the correct solution for each power quality issue both in residential and industrial environments.

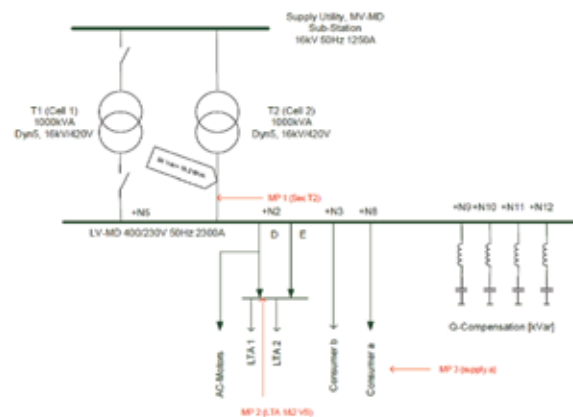


### 2 SIMULATION AND ANALYSIS

We provide on-site analysis of the grid situation with the existing components. With computer-based simulations we define filters or other components to eliminate the grid distortion.

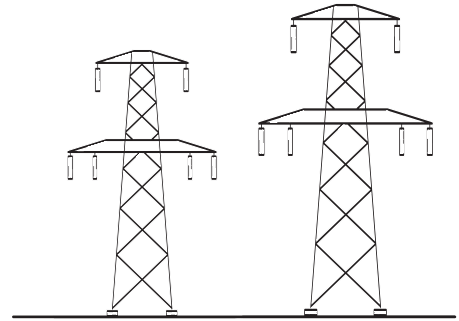
We then make on-site measurements to establish where the power quality problem originates, and find later the best way to avoid interferences.

Example of voltage harmonic measurements on low-voltage grid:



### 3 AC POWER SOURCES

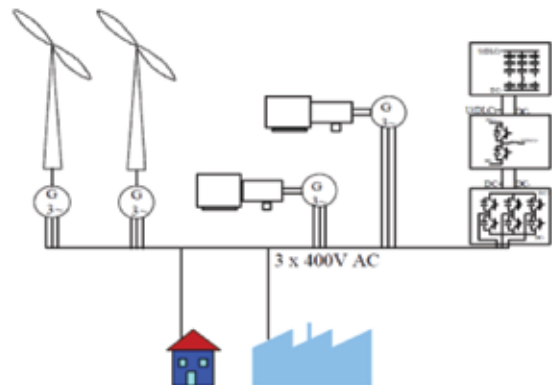
The AC power source can be used for testing any HV-device according to standards such as IEC 60076. Implementation in existing test stations, replacing motor generator sets or regulators is feasible. Integration to existing control systems is accessible because of the use of general interface protocols such as CAN, Ethernet/IP, etc. Any IEC routine test can be run by this kind of power source. General functionality also allows any other application as AC voltage or current source in isolated networks.



### 4 PROJECT MANAGEMENT

We offer full project management for renewable energy applications up to 6MW installed power (wind or photovoltaic). From the planning phase until the design, development, installation and commissioning, risks are lowered when ON Power is involved from the start of the project as we help you in defining the right scope of your needs. When combined with our technical knowledge this makes a big contribution to your company.

Example of grid measurements for investigation of an isolated hybrid plant:



ON Power Technology AG | Marktstrasse 21  
CH - 8890 Flums (SG) | Switzerland

P +41 81 734 0150  
F +41 81 720 1018

© ON Power Technology AG 2015

Any product designations contained herein may be trademarks or product names of ON Power Technology AG or supplier companies whose use by third parties for their own purposes could violate the rights of the owners.